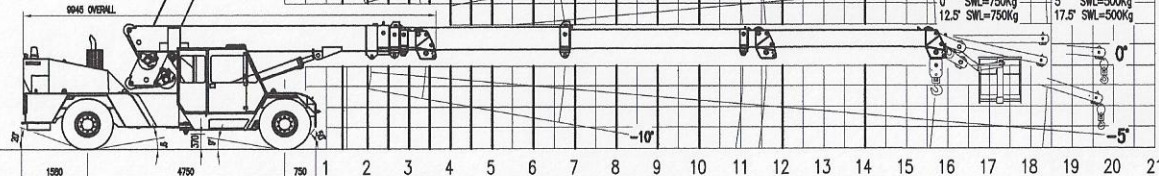
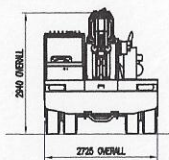


NOTE:
 THIS RADIUS CHART IS A SUMMARY OF LOAD CHART
 MXC1250- FOR LIFTING ON THE WINCH WITH COUNTERWEIGHT
 ON REAR. REFER TO THE CRANE'S LOAD CHART BEFORE
 ATTEMPTING A LIFT.

SWL'S ARE APPROXIMATE - BASED ON THE MAXIMUM FOR A
 GIVEN RADIUS.

SWL LINES APPLY ONLY TO 10° ARTICULATION.
 SWL REDUCES WITH HEIGHT FOR 40° ARTICULATION.



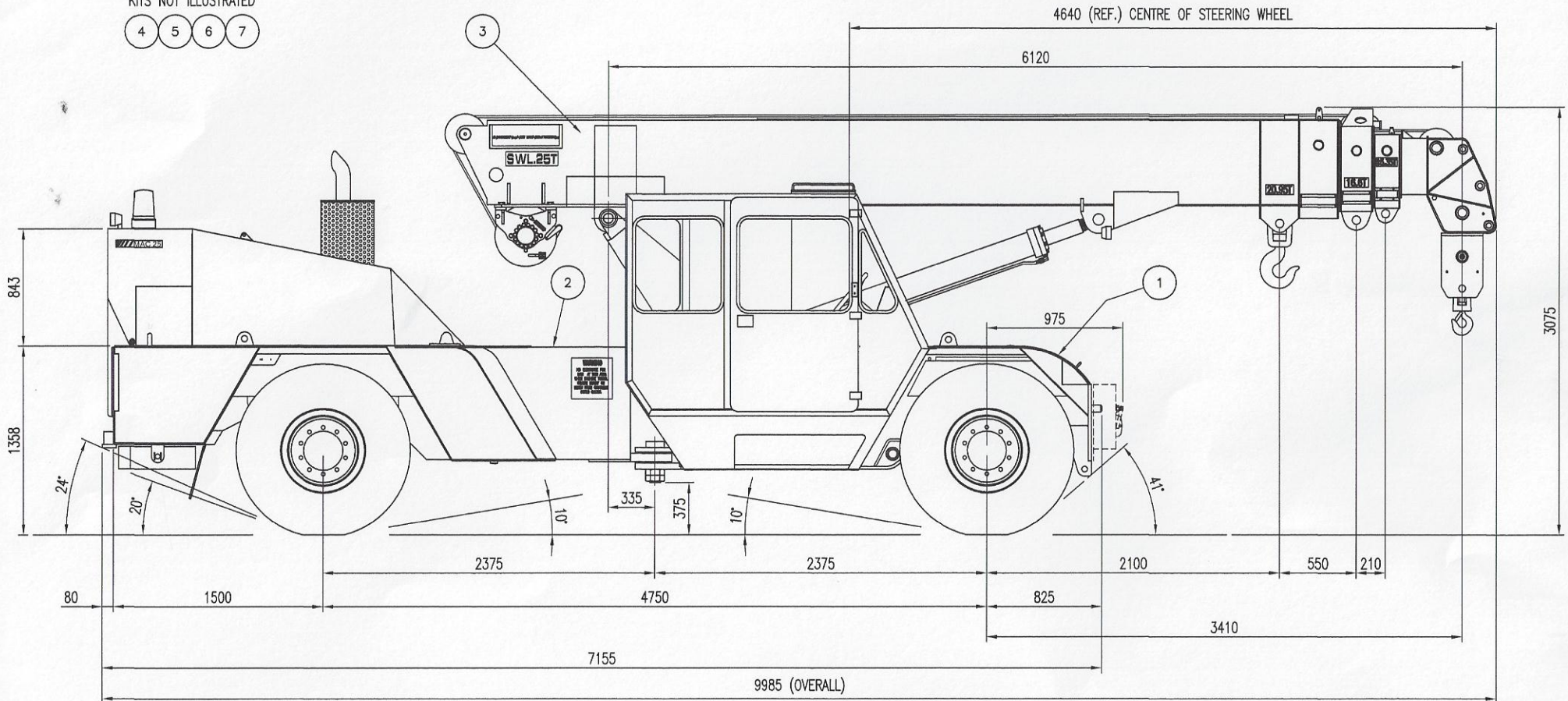
| WINCH SAFE WORKING LOADS | |
|--------------------------|----------|
| SINGLE PART | 4200 KG |
| TWO PARTS | 8400 KG |
| FOUR PARTS | 16800 KG |
| SIX PARTS | 25000 KG |

| SWL (tonnes) | 10° ARTIC | 25 | 23 | 18 | 14.9 | 12.5 | 10.7 | 8.3 | 6.6 | 5.4 | 4.6 | 4.0 | 3.5 | 2.7 | 2.1 | 1.8 |
|--------------|-----------|----|----|----|------|------|------|-----|-----|-----|-----|-----|-----|-----|-----|-----|
| SWL (tonnes) | 40° ARTIC | 25 | 20 | 16 | 13.3 | 11.1 | 9.5 | 7.3 | 5.8 | 4.7 | 3.9 | 3.3 | 2.9 | 2.3 | 1.8 | 1.5 |

| | | | | | | | | | | | | | | | |
|----------------------------|----------------|---------|-----|--|--------------|--|-----------|-----------|-----------|-----------------------------------|--------------|--------------|------|-----|--|
| | | | | UNLESS OTHERWISE STATED ALL WELDING TO AS1554 CATEGORY SP AND ALL DIMENSIONS IN (mm) & TOLERANCED TO LIMITS SHOWN. | | | | AS 1100 | | DATE 16/07/04 | | | | | |
| B | UPDATED | SR | YES | 16/07/04 | NOMINAL SIZE | | UP TO 150 | ABOVE 150 | ABOVE 300 | ABOVE 1000 | DO NOT SCALE | DRN | SR | | |
| A | 40° SLEW ADDED | MW | YES | 20/12/99 | MACHINING | | ±0.1 | ±0.25 | ±0.5 | ±1.0 | SHEET SIZE | A3 | CKD | | |
| REV | CHANGE DETAILS | CHG No. | BY | INTER DATE | FABRICATION | | ±0.5 | ±1.0 | ±1.5 | ±2.5 | SCALE | 1:125 | APPD | | |
| | | | | | | | | | | Title | | DRG No. | | REV | |
| MOBILE CRANE MANUFACTURERS | | | | | | | | | | LOAD CHART PICTORIAL MAC 25 CRANE | | MC25-A-1-017 | | B | |

KITS NOT ILLUSTRATED

- 4 5 6 7



NOMINAL TARE: (C/WEIGHT REAR)
 FRONT : 9850 kg
 REAR : 14040 kg
 TOTAL : 23900 kg

NOMINAL TARE: (C/WEIGHT FRONT)
 FRONT : 11900 kg
 REAR : 12000 kg
 TOTAL : 23900 kg

TURNING RADIUS : 7900mm
 WIDTH : 2720mm

| | | | | | |
|--|----------------|---------|----|---------------|--|
| UNLESS OTHERWISE STATED ALL WELDING TO AS1954 CATEGORY SP AND ALL DIMENSIONS IN (mm) & TOLERENCED TO LIMITS SHOWN. | | | | AS 1100 | DATE 11/02/04 |
| | | | | DO NOT SCALE | DRN SR |
| | | | | SHEET SIZE A3 | CKD |
| | | | | SCALE 1:30 | APPD |
| REV | CHANGE DETAILS | CHG No. | BY | INTER | DATE |
| FRANNA CRANES PTY LTD <small>MOBILE CRANE MANUFACTURERS</small> A.C.N. 010 671 048 | | | | | Title MAC 25 WITH OM906 & MD3060 MAC 25 CRANE |
| | | | | | DRG No. MC25-A-1-055 |
| | | | | | REV - |